



PORTABLE VACUUM RECLAIMER SYSTEM

PORTABLE VACUUM RECLAIMER INCLUDES:

- 20 cu ft Hooper – up to 1 ton vacuum used abrasive
- 20 cu ft hopper design with easy loading into bulk bag at the bottom for disposal of grit
- Easy pallet placing under 20 cu ft hopper for loading collect grit into bulk bag and new placement
- Comes with level sensor 12 VDC (overflow shutdown) and 55ft cable cord connecting level sensor to electric control valve.
- Modular dust collector with fork pocket skid, for easier handling.
- Dust collector able to carries up to 200kgs vacuum paint flakes, fine grits and dust - with easy disposal design.
- Features 1 x 350 cfm Eductor, which effectively convey 2 tonnes per hour with compressed air at 100 PSI. A muffler is added for noise reduction
- 3" vacuum inlet and outlet design

PICKUP TOOL

The perfect balance of operator ease, comfort and safety.

- Pick up tool with handle and wheels.
- Designed to increase the vacuum operation efficiency using 3" flat bottom.



The Schmidt® portable vacuum reclaimer is the ideal solution for blasting & painting contractors to maintain a clean job site and eliminate workers health hazards. The system uses the same compressed air supply that drives your abrasive blasting system. With no moving parts- this system is exceptionally low maintenance. Uses minimal 350 CFM and at 100 PSI minimum pressure to ensure optimum efficiency.



FEATURES

- 1 ton hopper to store used vacuum abrasive and 200kgs dust containment storage.
- Vacuum reclaimer module containing a pneumatic vacuum pump and muffler
- Sturdy Pick up tool with wheels used to vacuum used abrasive off the ground
- Air wash, A cyclonic separator – that splits used grits and removes paint flakes, fines, and dust
- Strong steel construction

BENEFITS

- Connect standard compressor used for blasting system - with air hose to the vacuum module
- Requires 350 CFM and 100 PSI of air supply to generate the vacuum.
- Comes with 12 VDC electric level sensor to prevent overflow
- Achievable 2 tonnes per hour continuous feeding
- Easy discharge for disposal or re-use grit into a bulk bag
- Easy dust disposal
- Compact design with forklift and crane lifting



MODULAR DRUM RECLAIMER SYSTEM



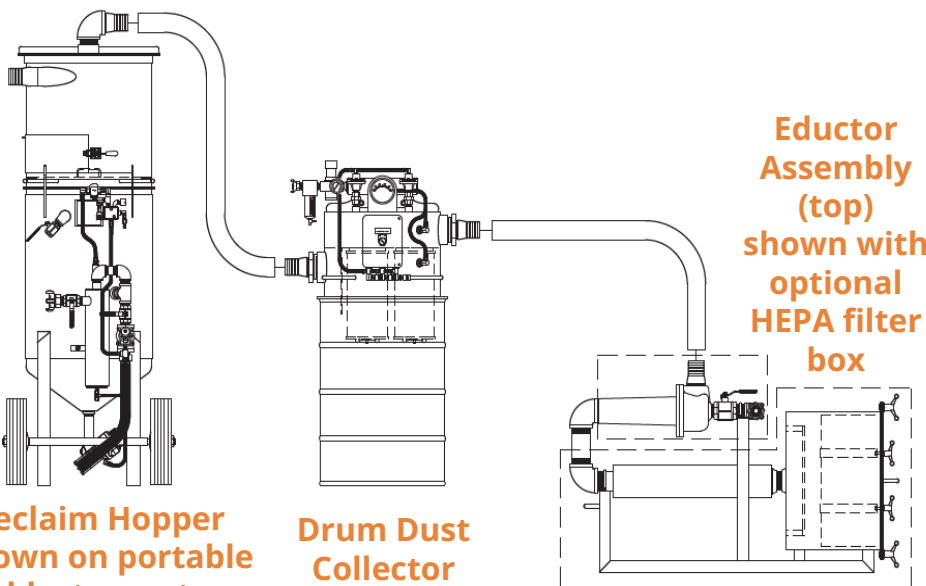
DRUM DUST COLLECTOR (LEFT) AND RECLAIM HOPPER



The Schmidt® Modular Drum Reclaim System is a convenient and portable solution used to move small or large volumes of abrasive for either recycling or removal. The system's drum dust collector easily separates dust and debris from usable "good" abrasive more efficiently than manual sieves and is significantly less fatiguing for operators. Adaptable to any existing stationary or portable blasting operation, the Modular Vacuum Reclaim System improves production and minimizes downtime in your application. Available as a full system or individual components.

MODULAR DRUM RECLAIMER INCLUDES

- Choice of 150/225/350/440/550 CFM 3" ID urethane eductor assembly
- Modular Reclaim Hopper (24" diameter)
- Modular Vacuum System drum dust collector with auto pulse (120V)
- 50 ft. 3" diameter urethane lined vacuum hose with hose clamps
- Optional: Modular Drum Vacuum System HEPA filter box



Reclaim Hopper (shown on portable blaster, not included)

Drum Dust Collector

Contact your local Schmidt distributor or call Axiom below for distributor information.